

Fig 24 ... with batten verge over direct-fixed cladding

Joints in fascias are described with Fig 23 (p64). Where the depth of a fascia exceeds 100mm, welded joints are recommended to hold the copper neatly in line.

In Long Strip roofing (see Figs 24c and 24d) the detail is basically the same but sliding clips are provided, fixed to the substrate, next to the verge batten. Note that this only applies outside the 'fixed clip zone' (see Table L, p11). Inside the fixed clip zone sliding clips are never provided.

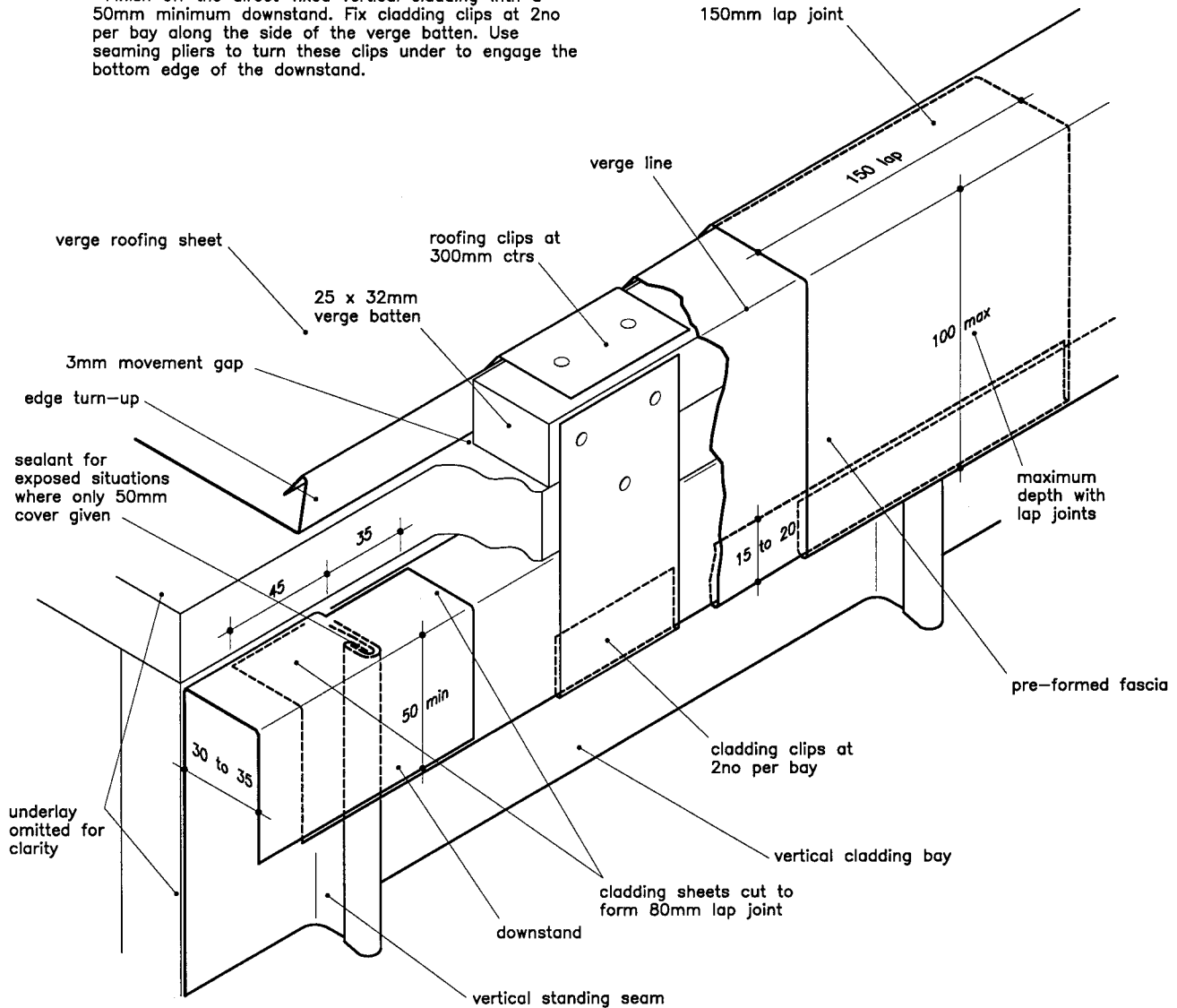
More detail on direct-fixed cladding is given in Fig 29 (p76).

Temper: Roofing sheet; soft, quarter- or half-hard.  
Pre-formed fascia; half-hard. Cladding; quarter- or half-hard.  
Thickness: 0.6mm or 0.7mm

**Stage 2**  
Nail roofing clips at 300mm centres along the top of the verge batten. The clips will now lie over the edge turn-up of the verge roofing sheet.

TRADITIONAL ✓ LONG STRIP ✓

**Stage 1**  
Finish off the direct-fixed vertical cladding with a 50mm minimum downstand. Fix cladding clips at 2no per bay along the side of the verge batten. Use seaming pliers to turn these clips under to engage the bottom edge of the downstand.



**Stage 3**  
Hook the bottom edge of the pre-formed fascia around the bottom edge of the downstand. Complete the fixing at the top with a double-lock welt to the edge turn-up of the verge roofing sheet.

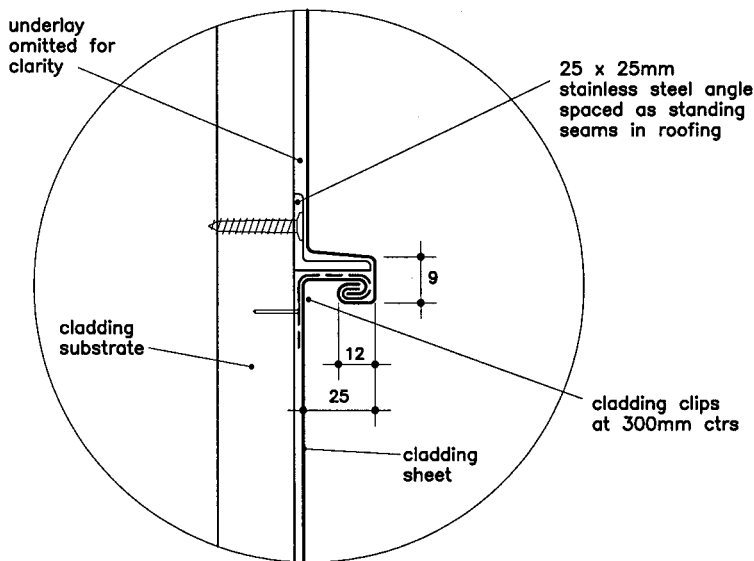


Fig 24a  
Horizontal direct-fixed cladding joint  
TRADITIONAL ✓ LONG STRIP ✓

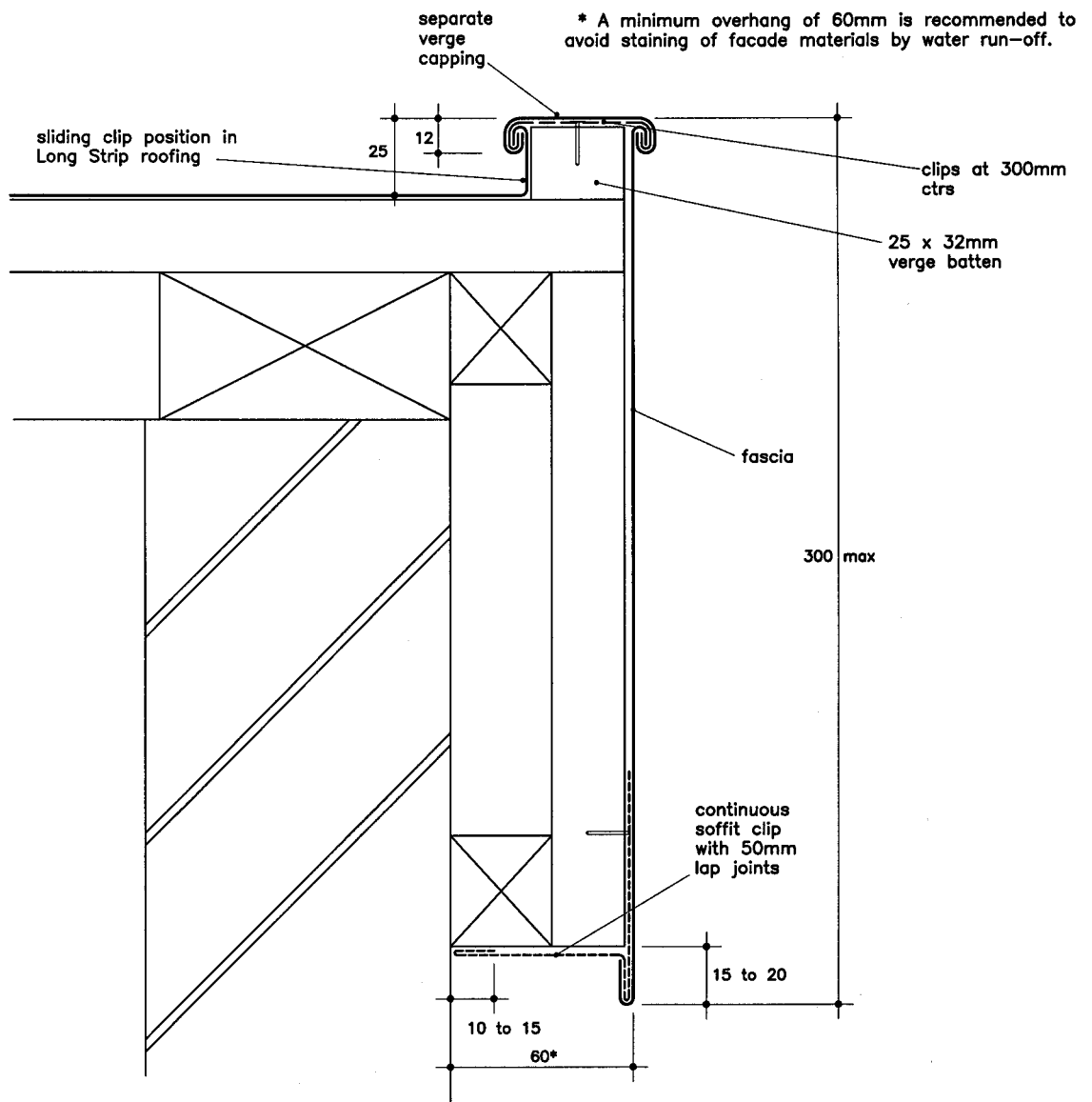


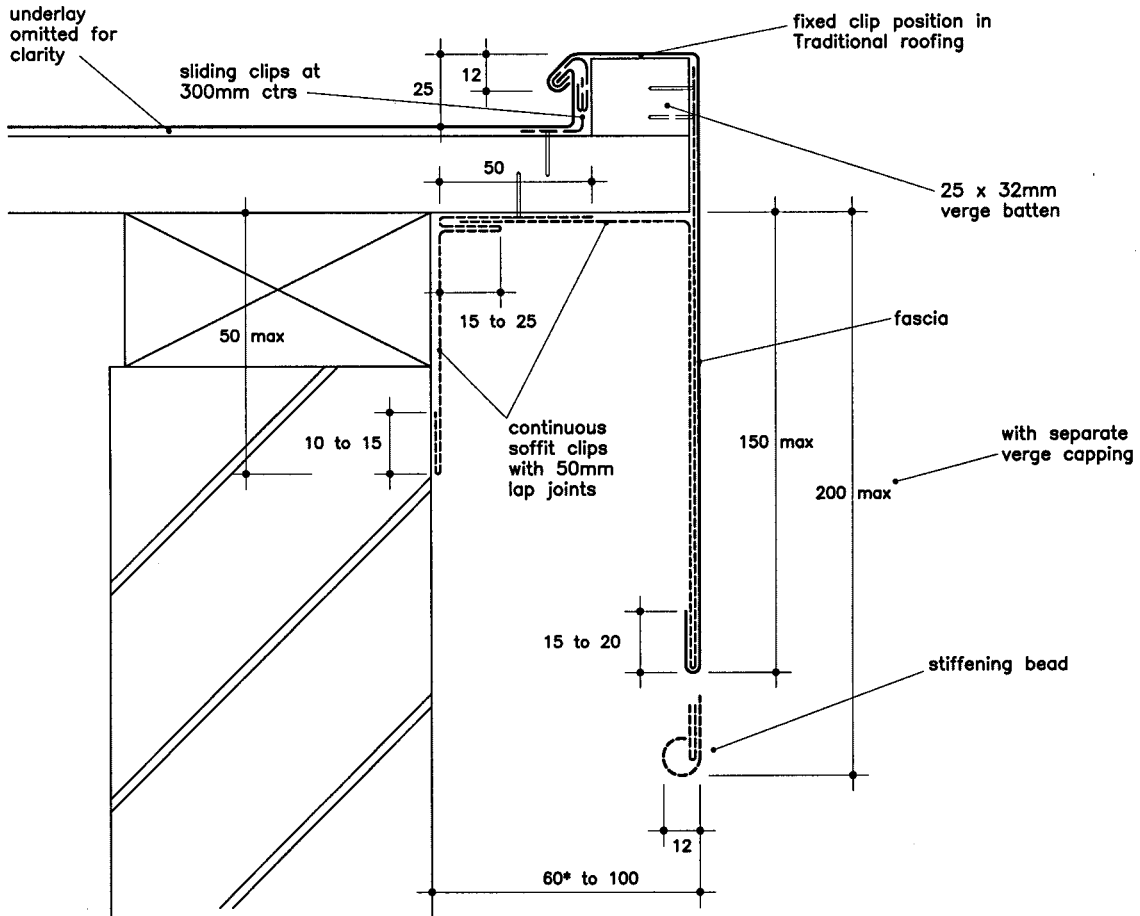
Fig 24b  
Batten verge over brickwork with copper clad timber fascia up to  
300mm deep, 60mm overhang  
TRADITIONAL ✓ LONG STRIP ✓

Fig 24 ... with batten verge over direct-fixed cladding

Fig 24c

Batten verge over brickwork with copper fascia up to 250mm deep, maximum 100mm overhang

TRADITIONAL ✓ LONG STRIP ✓



\* A minimum overhang of 60mm is recommended to avoid staining of facade materials by water run-off.

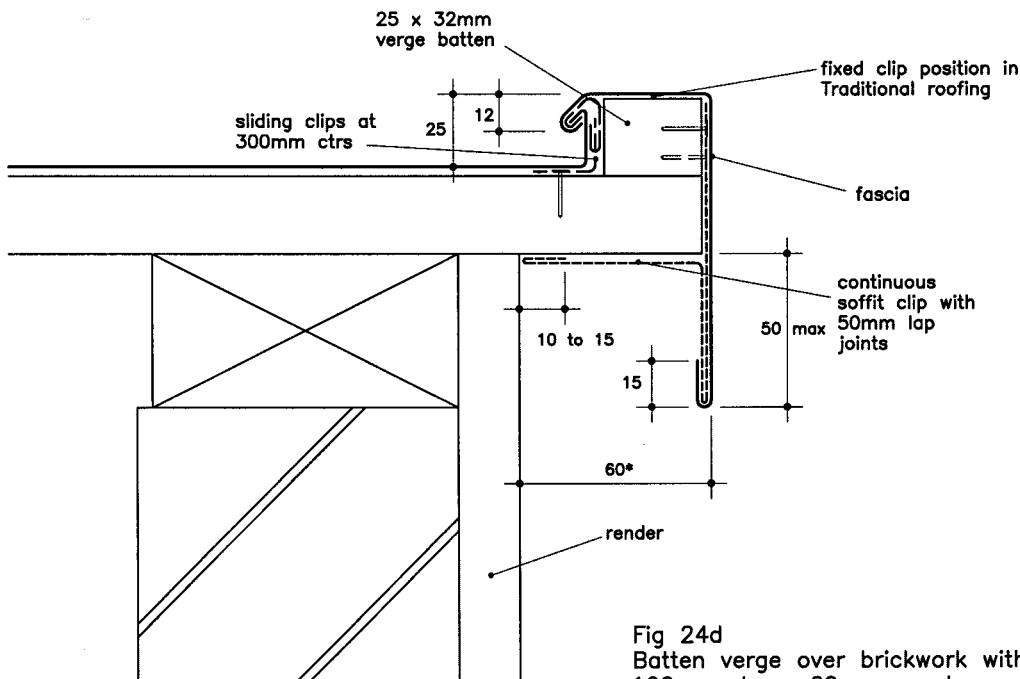


Fig 24d

Batten verge over brickwork with copper fascia up to 100mm deep, 60mm overhang

TRADITIONAL ✓ LONG STRIP ✓