

TRADITIONAL  LONG STRIP

- \* In Long Strip roofing, the 44 x 44mm batten is weathertight at roof pitches at and over 3degrees.
- \* Fixed and sliding clips should be provided as set down in Table L p11. For small roofs in Long Strip roofing ie where roofing sheets do not exceed 3m, fixed clips may be used throughout.
- \* Joints in the batten capping are made with single-lock welts as shown in Fig 36 (p87).
- \* For on-site efficiency roofing sheets and cappings can be pre-formed in the workshop.

Temper: quarter- or half-hard  
Thickness: 0.6mm or 0.7mm

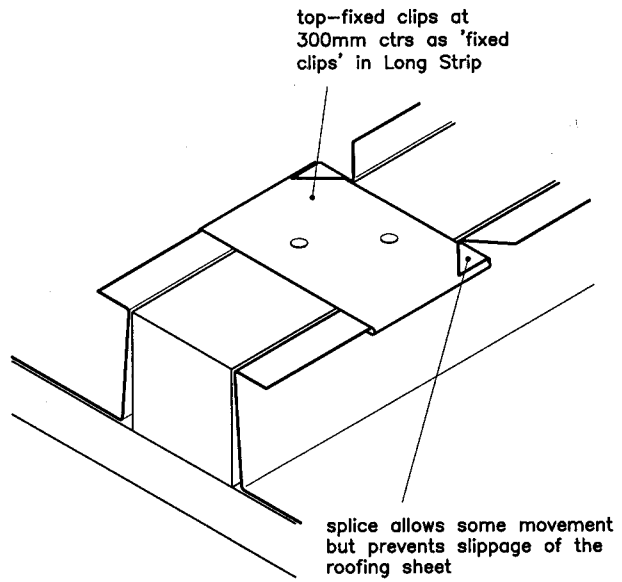
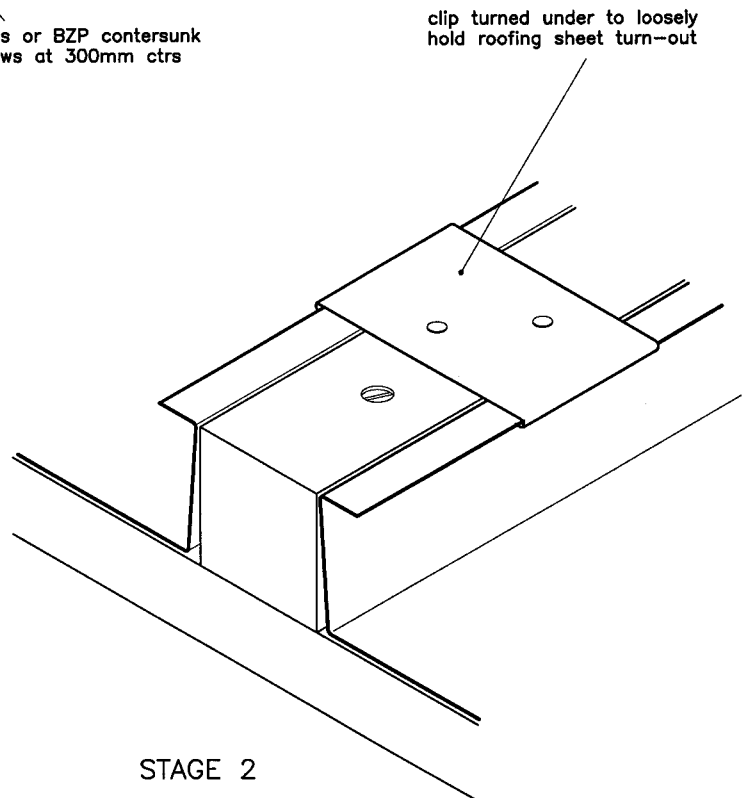
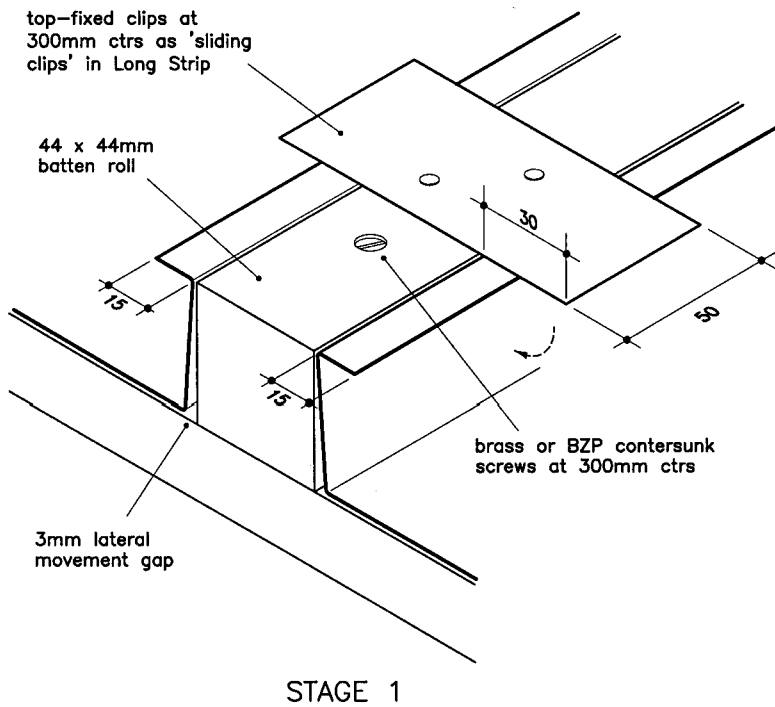


Fig 37a  
Top batten clip as 'fixed clip'  
TRADITIONAL  LONG STRIP



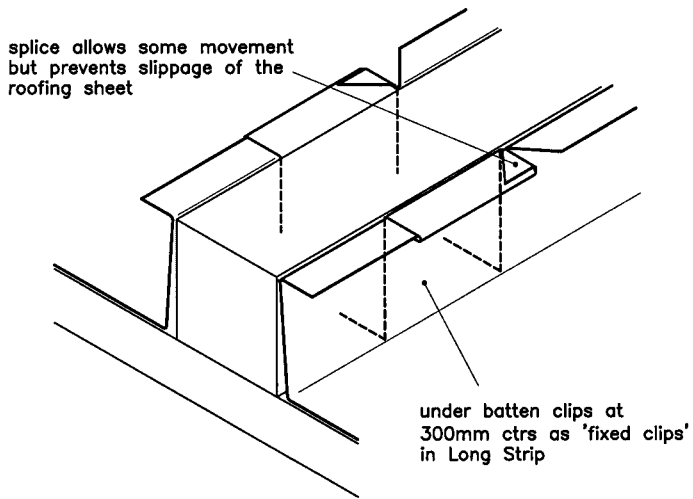


Fig 37b  
Under batten clip as 'fixed clip'  
TRADITIONAL  LONG STRIP

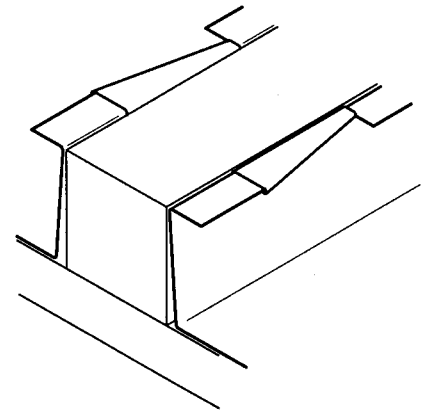
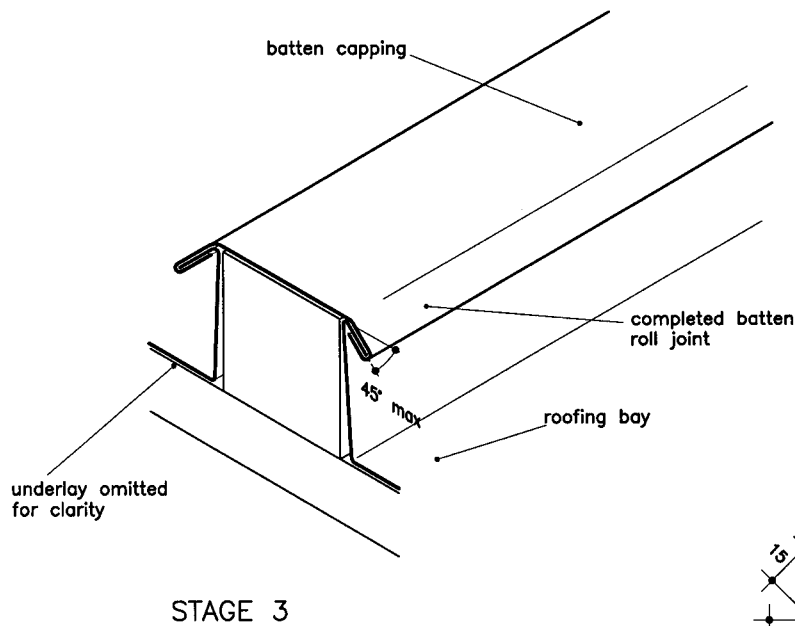


Fig 37c  
Alternative under batten clip as 'fixed clip'  
TRADITIONAL  LONG STRIP



STAGE 3

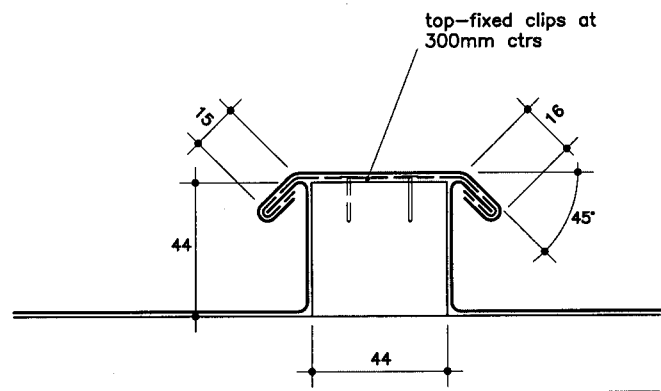


Fig 37d  
Section completed joint  
TRADITIONAL  LONG STRIP