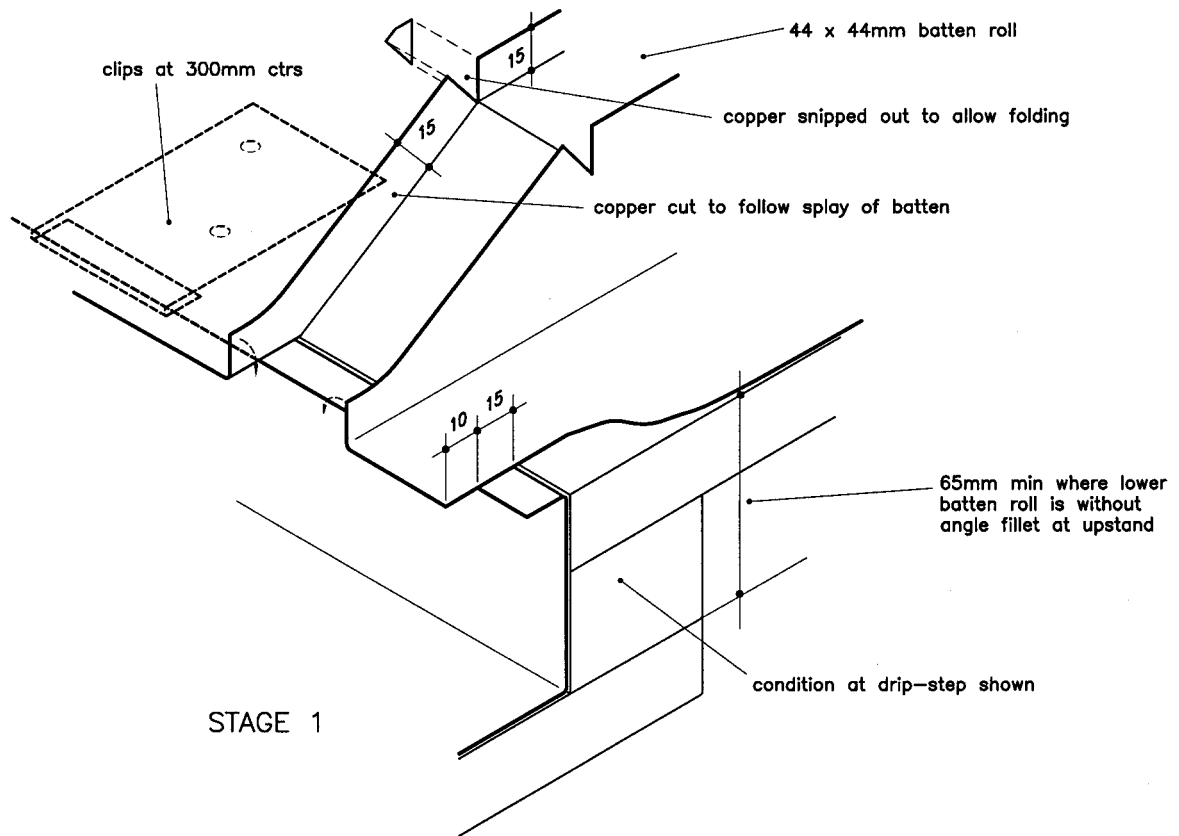


Fig 42 Splayed batten roll end with separate end capping

TRADITIONAL LONG STRIP



* This detail shows the usual method of finishing a batten roll end in Traditional roofing. Those shown in Figs 38 and 39 are alternatives, with the difference that the 10mm movement gap shown in those figures is not required.

Temper: soft or quarter-hard
Thickness: 0.6mm or 0.7mm

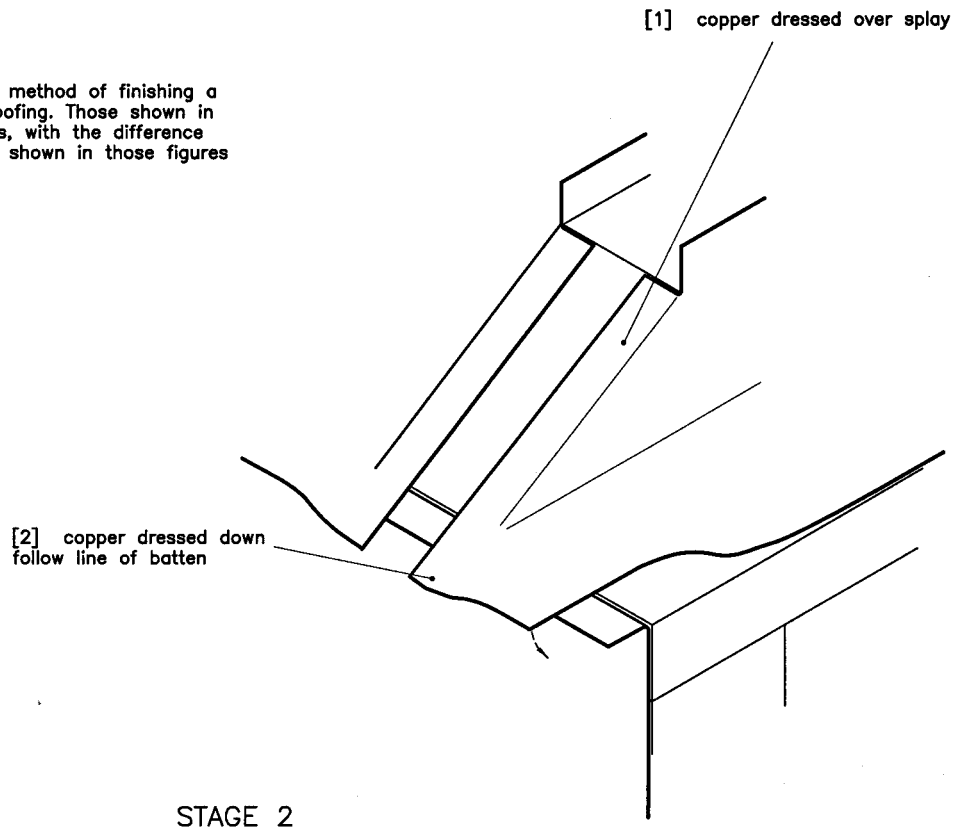
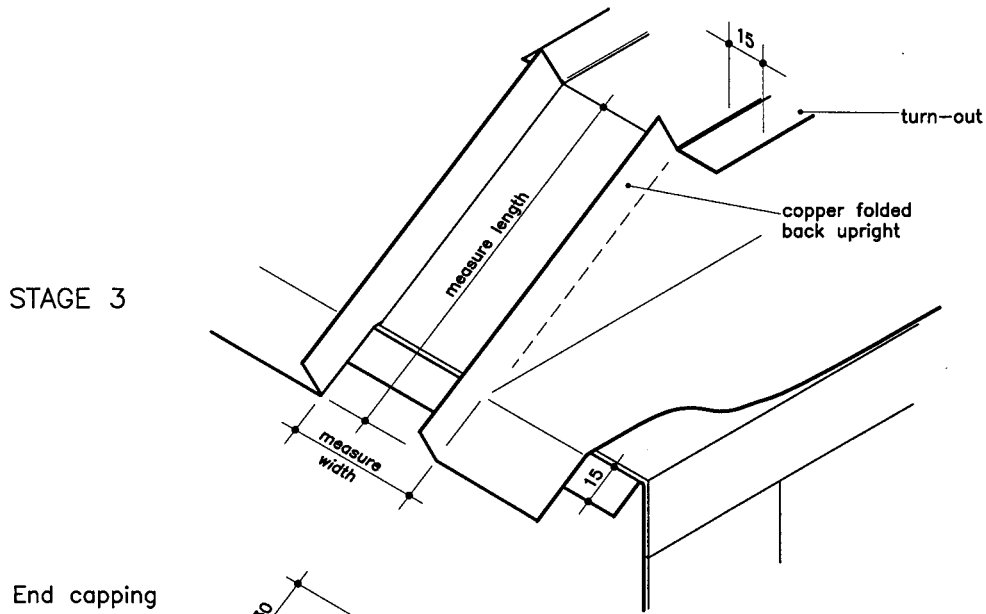
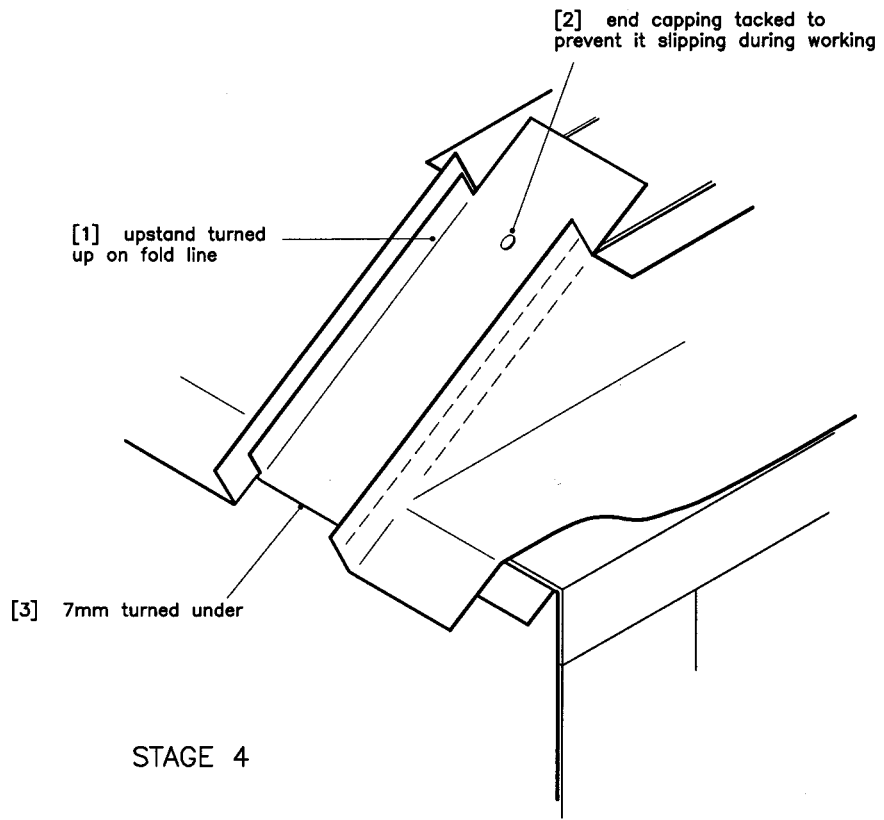
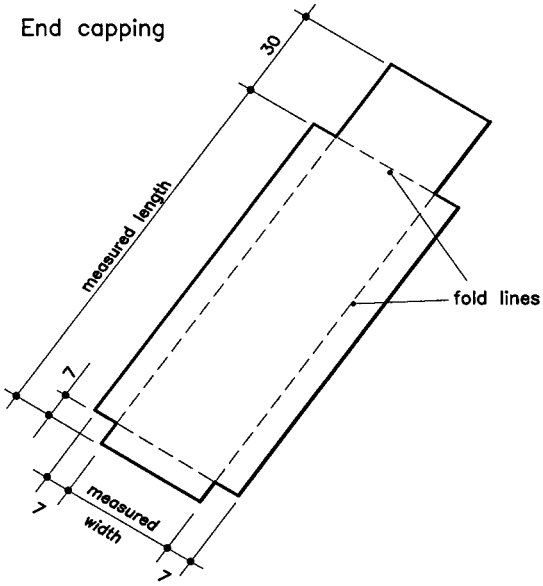


Fig 42 Splayed batten roll end with separate end capping



End capping



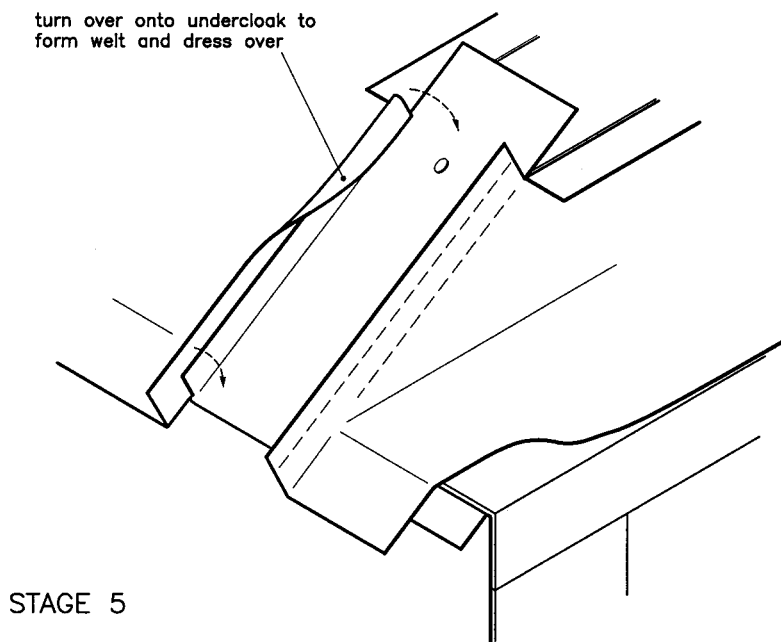
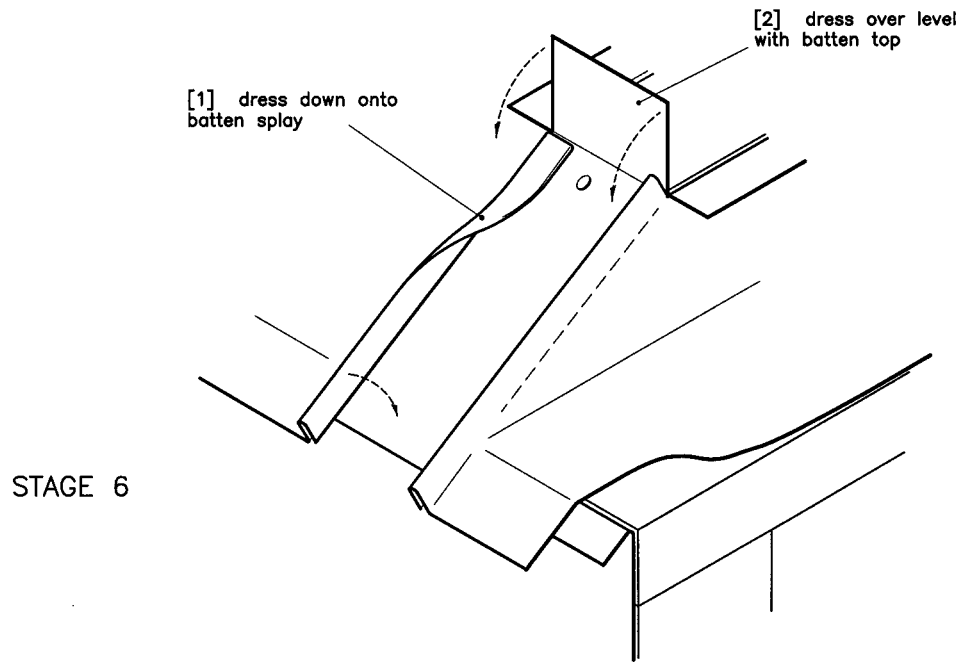
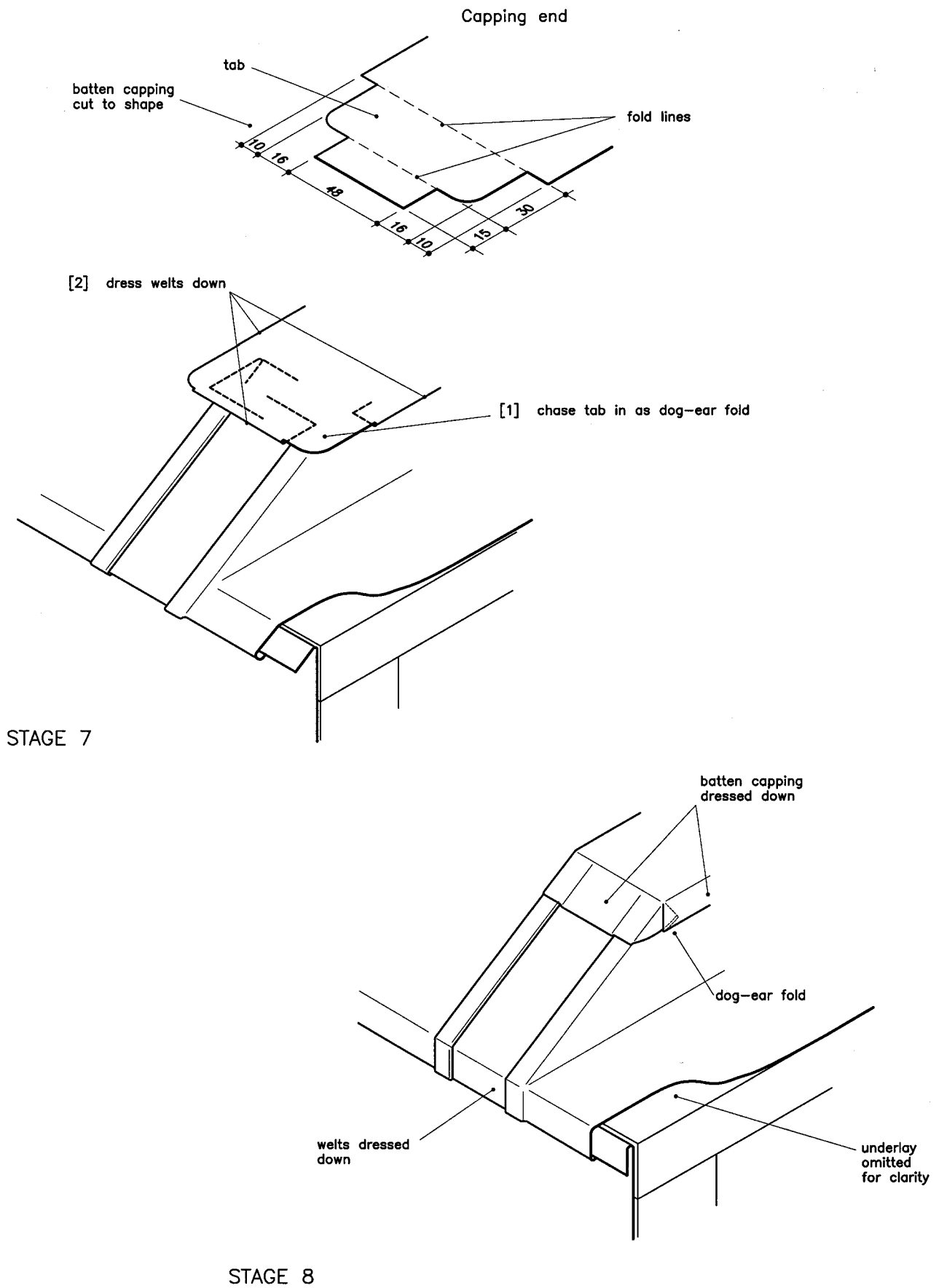


Fig 42 Splayed batten roll end with separate end capping



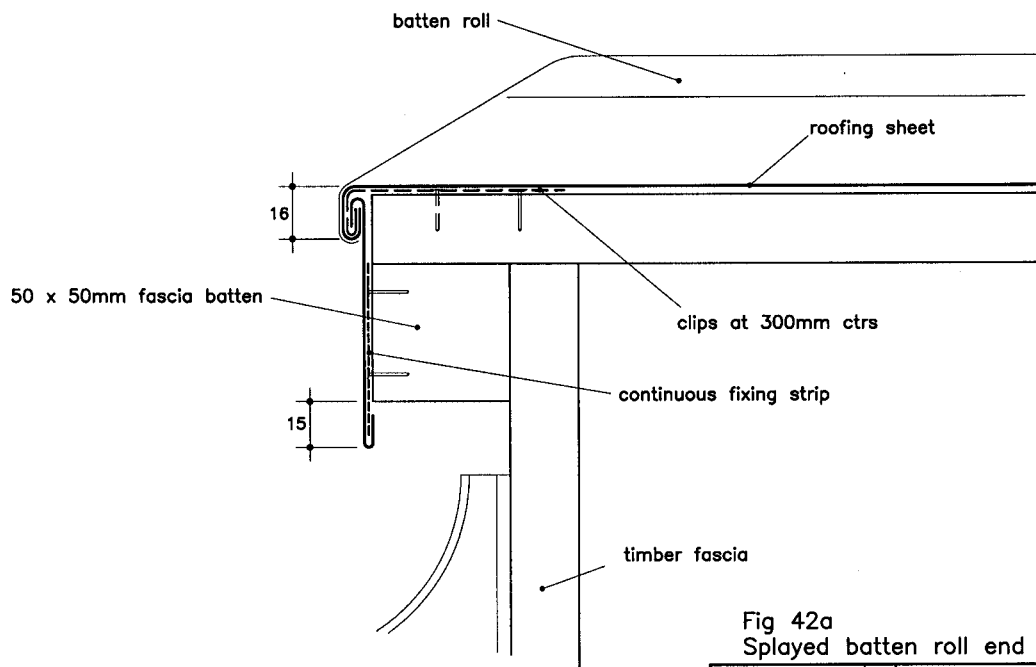


Fig 42a
Splayed batten roll end at timber fascia
TRADITIONAL ✓ LONG STRIP X

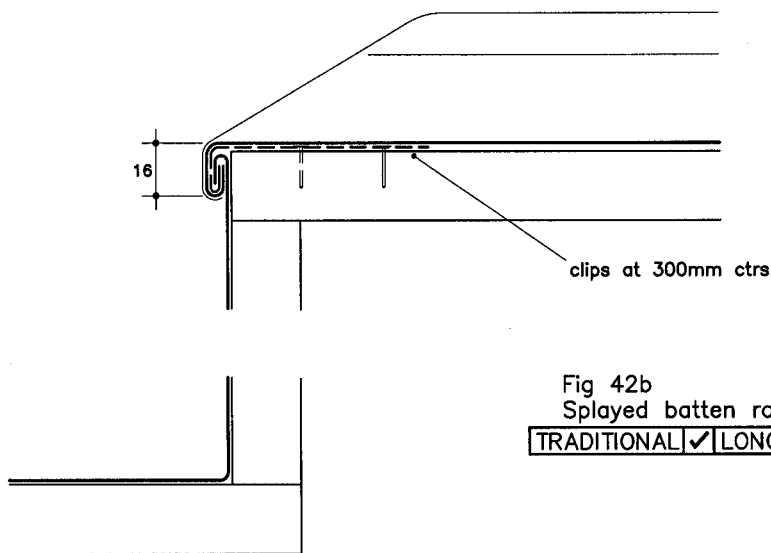


Fig 42b
Splayed batten roll end at parapet gutter
TRADITIONAL ✓ LONG STRIP X

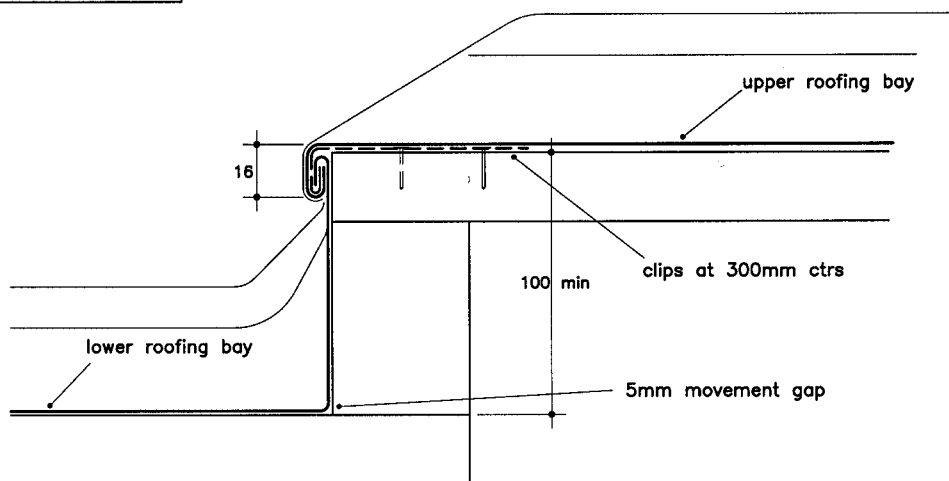


Fig 42c
Splayed batten roll end at drip-step
TRADITIONAL ✓ LONG STRIP X